

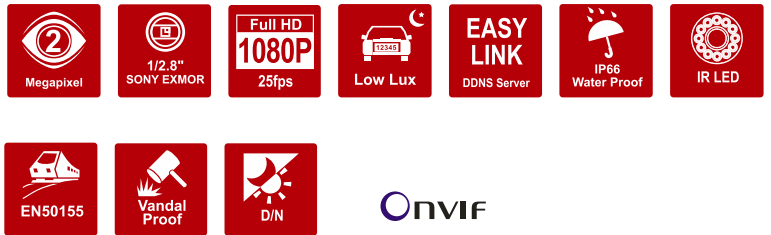
# 2 Megapixel Elite Vandal Dome

VD-E200Nf

H.264 High Profile • 1080p @ 25fps



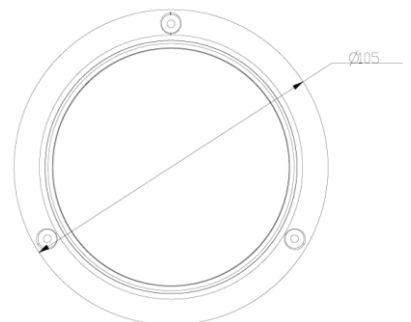
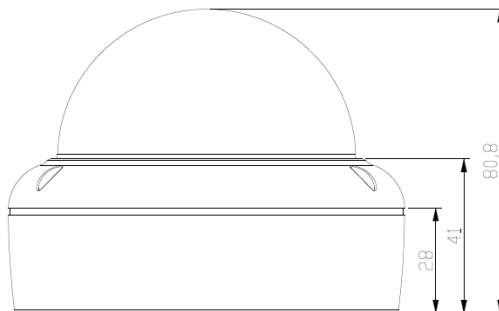
- Sony Exmor 2MP Outdoor Vandal Dome Camera
- H.264 High Profile Video Compression Technology
- EN50155 Certified for Transportation Application
- HDTV Quality (Full HD 1080p @ 25fps Streaming)
- IK10 & IP66 Weather-proof Outdoor Enclosure
- PoE(802.3af) / DC12V Supported



## Photo Indication & Dimension Diagram



- 1 Light Sensor
- 2 LEDs
- 3 Lens
- 4 RJ45 Connector (for Ethernet and 802.3af PoE)
- 5 DC12V Connector



**Camera**

<b>Models</b>	<b>VD-E200Nf</b>
<b>Hardware System</b>	CPU: 800 MHz Flash: 16M RAM: 128M DDR
<b>Image Sensor</b>	Sensor Type : 1/2.8" Sony Exmor Sensor Sensor Resolution : 2MP(1920x1080)
<b>Lens</b>	Fix-IRIS: F2.0 Focal Length: f=3.6mm View Angle: (H°/V°/D°) 87°/46°/99°
<b>Day and Night</b>	Removable IR-cut Filter/Auto Light Sensor
<b>Minimum Illumination</b>	0 Lux(IR On, B/W) 0.001 Lux(F2.0,B/W) 0.002 Lux(F2.0,Color)
<b>IR Illuminators</b>	Built -In IR Illuminators 20m (Visible distance) 10m (Detail distance) IR LED: 15 pcs

**Video**

<b>Compression Streaming</b>	H.264 / MJPEG 2 streams
<b>Video Setting</b>	Quality Setting:1-6 Bitrate Setting up to 12M bps
<b>Image Resolution</b>	<b>2MP (Full HD):</b> 1920x1080 @ 25fps
<b>WDR</b>	60dB

**Events and Alarm Management**

<b>Events</b>	Motion Detection
<b>Alarm</b>	Stream/Snapshot to Email/Email Notification

**General**

<b>Communication</b>	Ethernet : one 10/100Mbps RJ-45 Supported Protocols : TCP/IP, UDP, ICMP, DHCP, NTP, DNS, DDNS, SMTP, HTTP, UPnP, RTP, RTSP, RTCP
<b>Power Input</b>	PoE 802.3af / DC12V
<b>Temperature/Environment</b>	Operating Temperature: -40°C ~ 40°C(-40°F ~104°F) Start-up Temperature: -25°C ~ 40°C(-13°F ~104°F)  Operating Humidity: 10% ~ 90%
<b>Max. Power Consumption</b>	5 watts
<b>Dimension</b>	105(L) X105(W) X 80.8(H) mm Gross Weight: 0.5kg
<b>Connectors</b>	RJ45, DC12V
<b>Certification</b>	FCC, CE, IK10, IP66, EN50155
<b>Viewing System Requirements</b>	OS: Microsoft Windows 8/7/Vista/XP/2000 Browser: Mozilla Firefox, Internet Explorer 6/7 or above, Safari, Google Chrome Cell Phone: 3GPP player Real Player: 10.5 or above Quick Time: 6.6 or above VLC
<b>Warranty</b>	Limited 12 months warranty

**Network Equipment Options**



**PS-588I-v2**  
8-port 10/100M PoE Fast Ethernet Switch



**L-WM-01**  
Camera Bracket



**PS-7242IL-AT**  
24-port 10/ 100M High Power PoE+ Web Smart Ethernet Switch